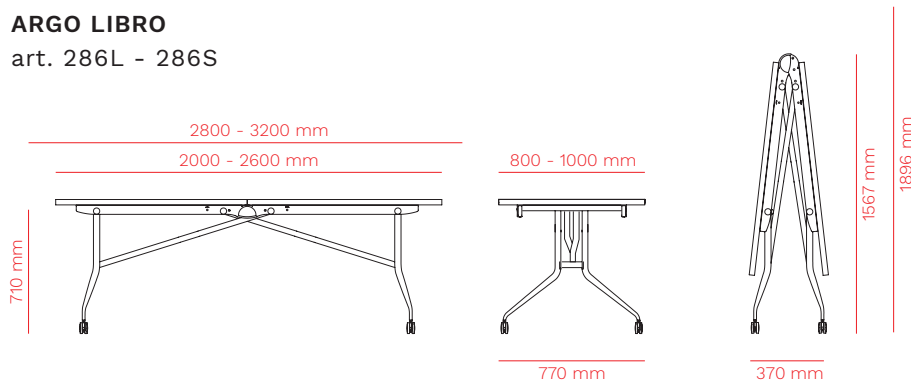


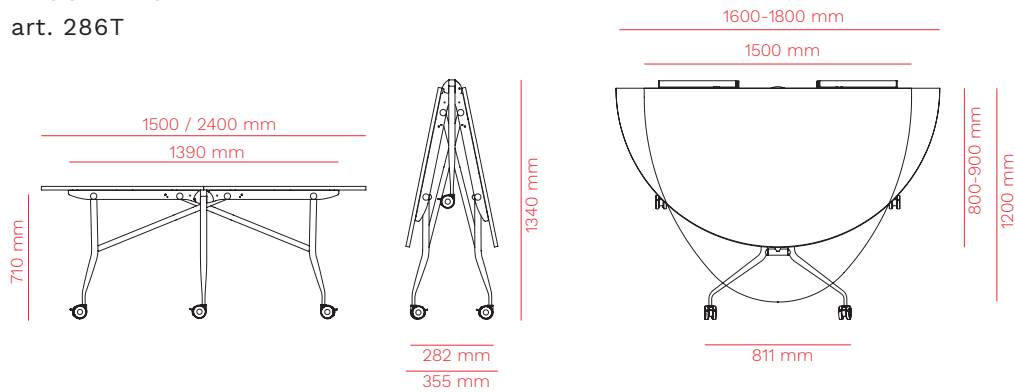
**ARGO LIBRO**

art. 286L - 286S



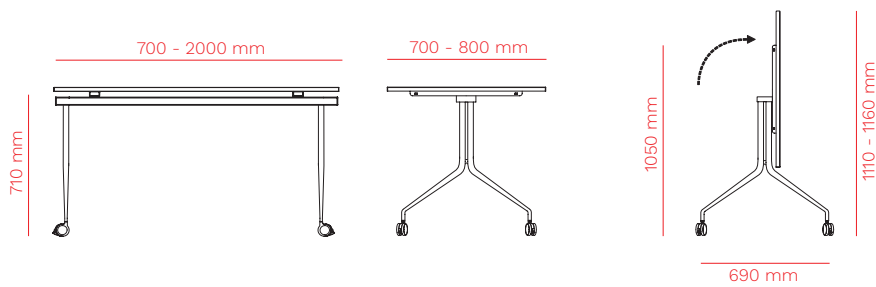
**ARGO LIBRO T**

art. 286T



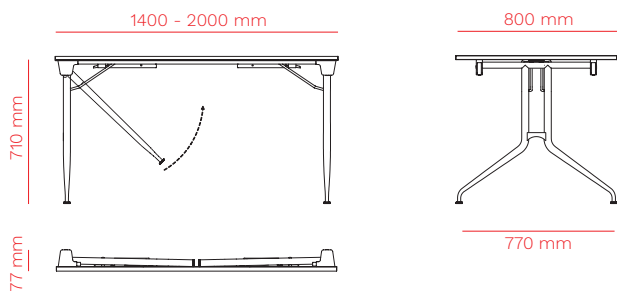
**ARGO TILTING**

art. 206R



**ARGO FOLDING**

art. 206P



**DESCRIPTION / DESCRIZIONE**

**en** Double leg entirely made with conified and curved steel, sturdy and stable, available both powder coated in different finishes or chromed. Argo includes the Libro version (with integrated patented anti-shock system), the tilting version with folding top and the version with folding legs.

**it** Doppia gamba interamente in acciaio conifcato e curvato, robusta e stabile, disponibile verniciata in diverse finiture o cromata. Argo comprende la versione con chiusura a libro (con sistema antishock integrato e brevettato), la versione tilting con piano ribaltabile e quella con gambe pieghevoli.

**CERTIFICATIONS / CERTIFICAZIONI**

**CATAS UNI EN 15372:2016**  
(286, 206R)



**patented system**  
sistema brevettato



**certified**  
certificato



**stackable version**  
versione accatastabile

**ACCESSORIES / ACCESSORI**

Images at pag. 264 / immagini a pag. 264

- > **cable-management box** / passacavi (art. 511)
- > **cable-management box with sockets** / passacavi con prese (art. 511E)
- > **feeding cable 2 mt.** / cavo alimentazione 2 mt. (art. 511C)
- > **conjunction cable 2 mt.** / cavo di congiunzione 2 mt. (art. 511CC)
- > **modesty panel** / pannello frontale
- > **nylon kit for connection** / agganci in nylon (art. 215KIT)
- > **metal kit for connection** / agganci in metallo (art. 217KIT)
- > **plastic cable tie for table top** / portacavi in plastica per piano (art. 350P)
- > **trolley** / carrello (art. 200)
- > **reinforcement bars** / blocchetti con travi di rinforzo (art. 206)

**FRAME / STRUTTURA**

**Powder coated steel, Chromed**  
Acciaio verniciato, Cromato



**100 smooth**  
liscio  
RAL 9006



**132 smooth**  
liscio



**116 smooth semi-glossy**  
liscio semilucido  
RAL 9005



**chromed**  
cromato



**296 textured**  
raggrinzato  
RAL 9010



**235 textured**  
raggrinzato  
RAL 7035



**131 textured**  
raggrinzato  
RAL 9006



**148 textured**  
raggrinzato  
RAL 7016



**120 textured**  
raggrinzato  
RAL 9005

**TOP / PIANO**

**Standard laminate and melamine top**  
Piani standard laminato e nobilitato



**white**  
bianco



**magnolia**



**light grey**  
grigio chiaro



**anthracite**  
antracite



**black**  
nero



**whitened oak**  
rovere sbiancato



**natural oak**  
rovere naturale



**grey olm**  
olmo grigio

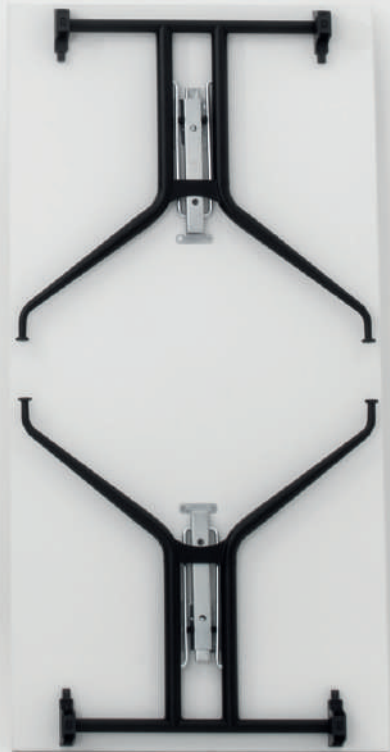


**painted olm**  
olmo tinto



**wengé**











In these pages  
**Argo Libro** (286S) small version  
with powder coated frame and  
light grey laminate top with  
cable-management box (511).

Veà upholstered armchair  
(5050) and Veà sled armchair  
(5150).



In these pages **Argo Tilting**  
(206R) with chromed frame  
and the detail of the flatness  
regulator of the top.









In these pages  
**Argo Libro** (286T)  
with elliptical top and  
powder coated frame.  
B-302 bookcase (500)  
and Vea chair with steel  
sled frame (5100).





In these pages **Argo folding legs** (206P) with powder coated legs and white laminate top. Details of galvanized mechanism (275) and trolley (200) for stacking and transport.